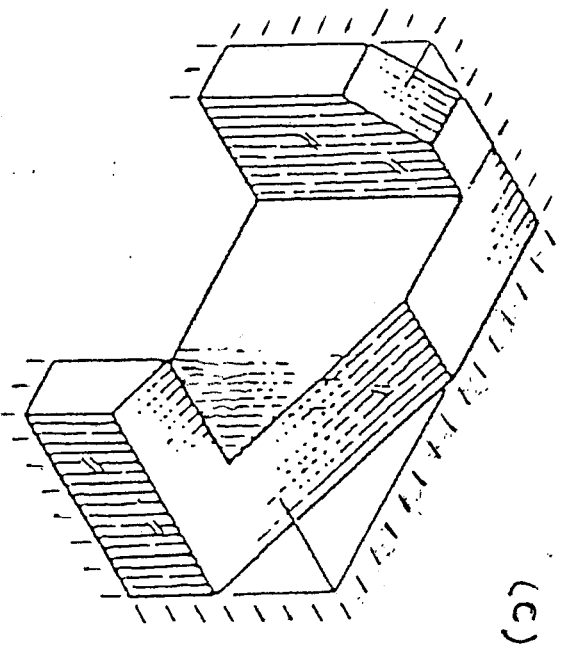
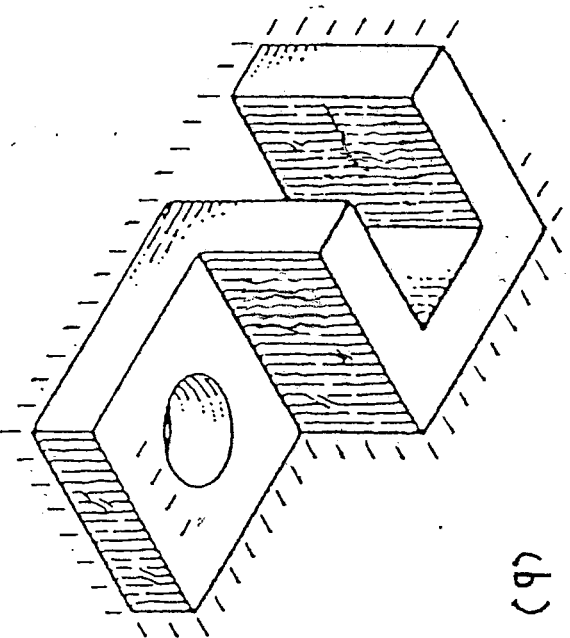
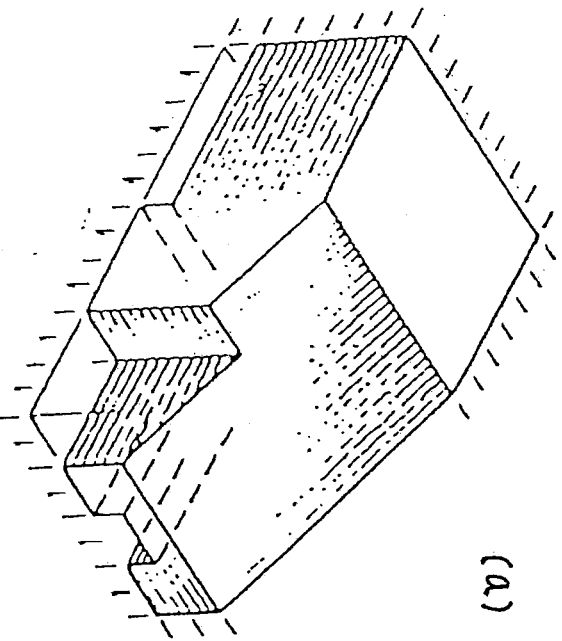


# ES 100 Introduction to Engineering Design

## Homework 1-3

Name: \_\_\_\_\_

- (a), (b), and (c): Sketch oblique views from following objects.  
(d) and (e): Using guidelines we learned in class and instruction in each problem, dimension these two objects.



Copyright 1993  
J.W. & O.B. Craig

FILE NUMBER

GRADE

a)



(b)

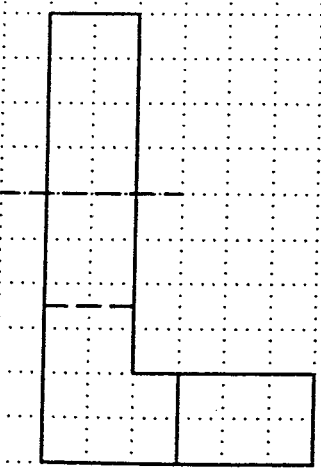
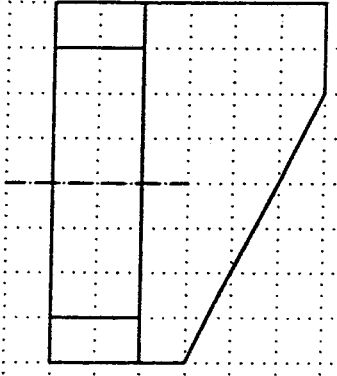
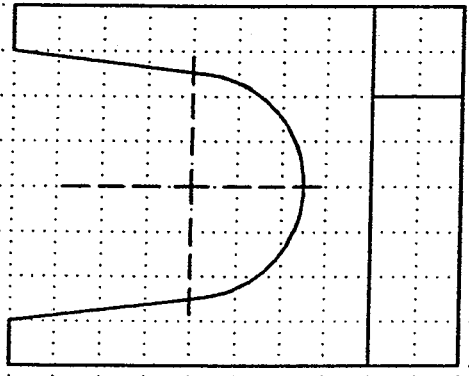


(c)

NAME

DATE

GRIDS ARE 10mm. SKETCH EXTENSION, DIMENSION LINES AND ARROWS.  
NEATLY LETTER DIMENSION VALUES. METRIC SYSTEM

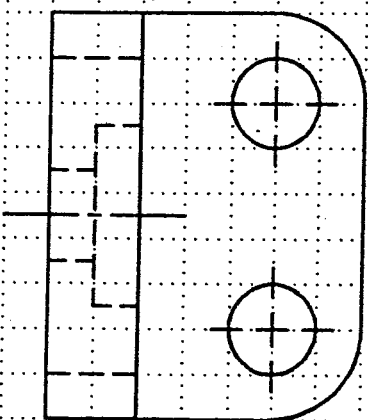
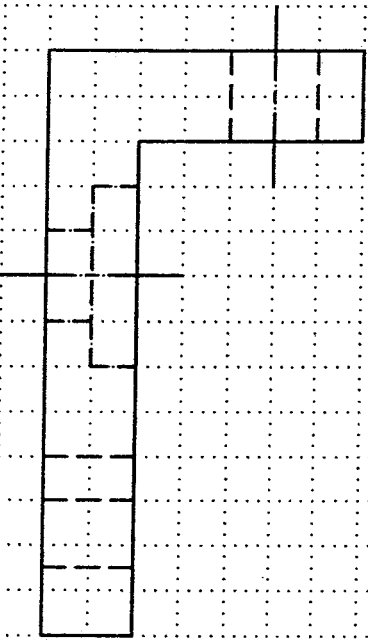
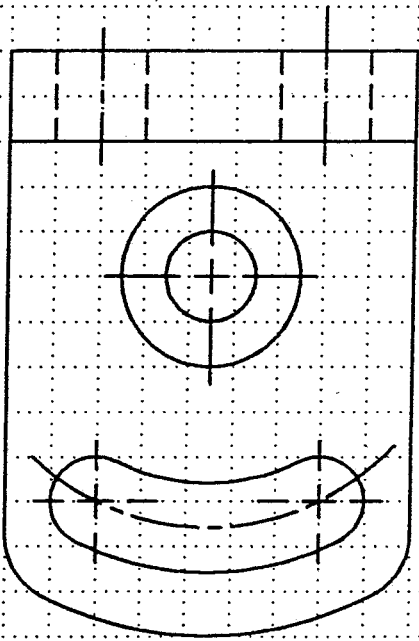


(d) DIMENSIONING PRACTICE

NAME .....

DATE .....

GRIDS ARE .25 INCHES. SKETCH, EXTENSION, DIMENSION LINES AND ARROWS.  
NEATLY LETTER DIMENSION VALUES. DECIMAL INCH SYSTEM.



(e) DIMENSIONING PRACTICE

NAME .....

DATE .....